

**BARBECUES : 3 - 4 SERIES CLASSIC  
L - L PLUS - LS - LS PLUS - LXS - EXS  
CLASS 3 - CLASS 4**



**3 SERIES CLASSIC L  
CLASS 3 L**



**3 SERIES CLASSIC L PLUS**



**3 SERIES CLASSIC LS  
3 SERIES CLASSIC LS PLUS**



**3 SERIES CAST IRON EXS**



**4 SERIES  
CLASSIC L**



**4 SERIES  
CLASSIC L PLUS  
CLASS 4 L PLUS**



**4 SERIES  
CLASSIC LS  
CLASSIC LS PLUS**

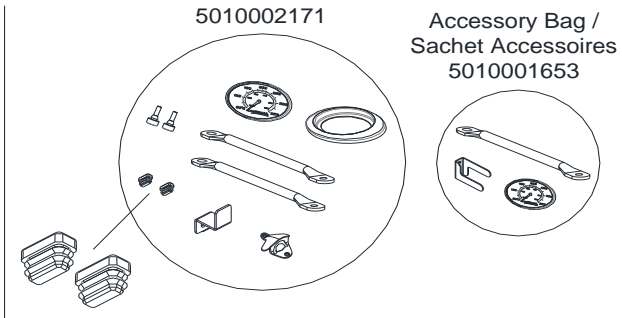
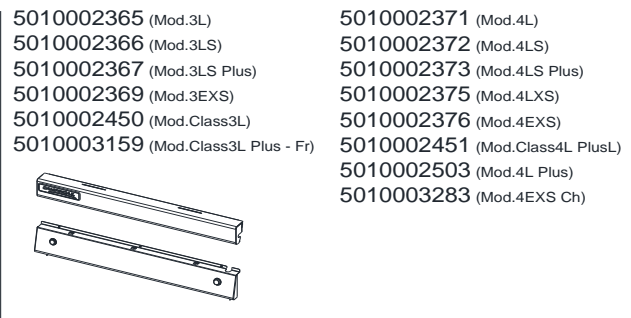
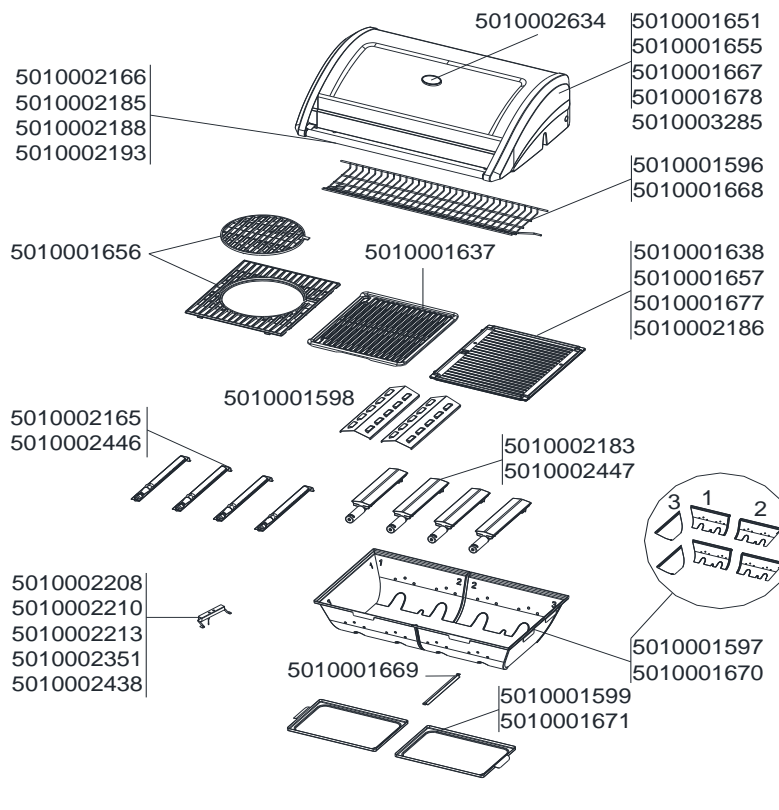


**4 SERIES  
CLASSIC LXS**



**4 SERIES  
CAST IRON EXS**

**BARBECUES : 3 - 4 SERIES CLASSIC  
L - L PLUS - LS - LS PLUS - LXS - EXS  
CLASS 3 - CLASS 4**



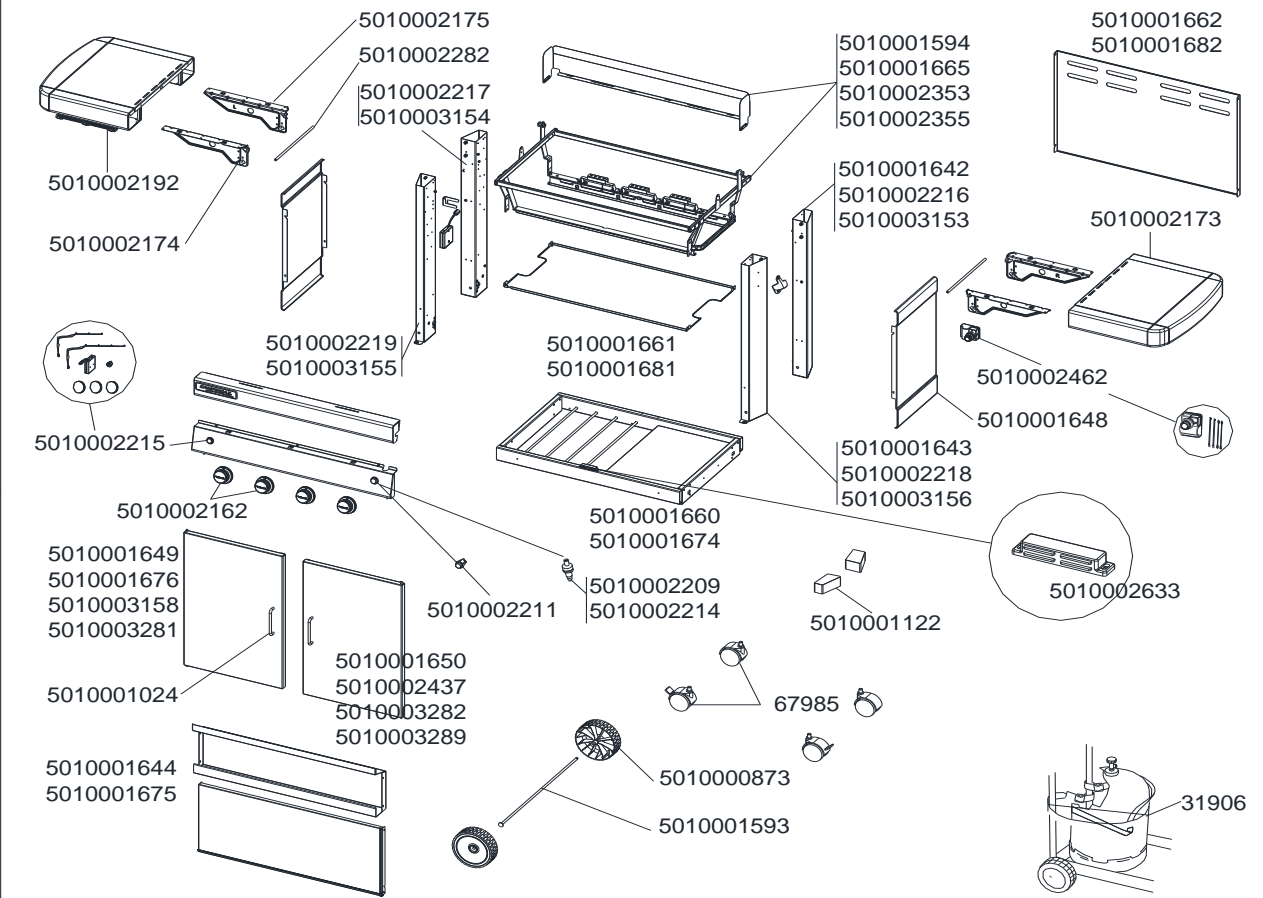
FOR SIDE STOVE,  
CF. SPECIFIC SCHEME  
POUR RECHAUD LATERAL,  
VOIR ECLATE SPECIFIQUE

Screw Bag  
Sachet de vis  
5010001652

Jet / Injecteur  
5010002164 (28Mb)  
5010002448 (50Mb)

- 5010002163 (Exp.)
- 5010002177 (Fr)
- 5010002184 (Exp.)
- 5010002439 (De)
- 5010002441 (Fr)
- 5010002442 (De)
- 5010002444 (Fr)

- 5010002182 (Stove / Réchaud lat. Exp.)
- 5010002187 (Stove / Réchaud lat. Exp.)
- 5010002443 (Stove / Réchaud lat. De)
- 5010002445 (Stove / Réchaud lat. Fr)
- 5010003284 (Stove / Réchaud lat. Ch)



**BARBECUES : 3 - 4 SERIES CLASSIC  
L - L PLUS - LS - LS PLUS - LXS - EXS  
CLASS 3 - CLASS 4**



SPARE PARTS REF.	POINTS	EN DESCRIPTIONS	FR DESCRIPTIONS	3 SERIES CLASSIC L	3 SERIES CLASSIC L PLUS	3 SERIES CLASSIC LS	3 SERIES CLASSIC LS PLUS	3 SERIES CAST IRON EXS	4 SERIES CLASSIC L	4 SERIES CLASSIC L PLUS	4 SERIES CLASSIC LS	4 SERIES CLASSIC LS PLUS	4 SERIES CLASSIC LXS	4 SERIES CLASSIC EXS - CH	4 SERIES CAST IRON EXS
				CLASS 3 L					CLASS 4 L PLUS						
31906	30	CYLINDER STRAP	SANGLE BOUTEILLE	X	X	X	X	X	X	X	X	X	X	X	X
67985	80	SET OF WHEELS (x2)	ENSEMBLE ROUES (x2)		X	X	X			X	X	X	X	X	X
5010000873	50	WHEEL	ROUE	X					X						
5010001024	40	HANDLE / USTENSIL HOLDER	POIGNEE / PORTE USTENSILE		X	X	X			X	X	X	X	X	X
5010001122	50	FRONT AND REAR PLASTIC FEET	PIED PLASTIQUE AVANT ET ARRIERE	X					X						
5010001593	30	WHEEL AXLE	AXE DE ROUE	X					X						
5010001594	220	BASE FRAME + WINDSHIELD	CADRE SUPPORT DE CUVE + PAREVENT	X	X			X							
5010001596	70	WARMING GRID	GRILLE DE MIJOTAGE	X	X	X	X								
5010001597	150	BASE (PART 1-2-3)	CUVE (PARTIE 1-2-3)	X	X	X	X								
5010001598	40	HEAT DIFFUSER	DIFFUSEUR DE CHALEUR	X	X	X	X		X	X	X	X	X	X	X
5010001599	40	GREASE PLATE	PLATEAU RAMASSE GRAISSE	X	X	X	X								
5010001637	130	COOKING STEEL GRID	GRILLE DE CUISSON ACIER	X		X			X		X				
5010001638	150	THICK STEEL COOKING GRIDDLE	PLAQUE DE CUISSON ACIER EPAIS	X	X	X									
5010001642	90	LEFT LEG CARRIAGE	PIED GAUCHE CHARIOT	X					X						
5010001643	90	RIGHT LEG CARRIAGE	PIED DROIT CHARIOT	X					X						
5010001644	130	FRONT SHEET (TOP + BOTTOM)	JUPE TOLE (HAUT + BAS)	X											
5010001648	60	LEFT OR RIGHT SIDE PANEL	PANNEAU LATERAL GAUCHE OU DROITE		X	X	X			X	X	X	X	X	X
5010001649	150	LEFT DOOR	PORTE GAUCHE		X	X	X								
5010001650	150	RIGHT DOOR	PORTE DROITE		X	X	X								
5010001651	510	LID (WITH THERMOMETER)	COUVERCLE (AVEC THERMOMETRE)	X	X	X									
5010001652	40	SCREW BAG	SACHET DE VIS	X	X	X	X		X	X	X	X	X	X	X
5010001653	80	ACCESSORY BAG	SACHET ACCESSOIRES	X	X	X	X		X	X	X	X	X	X	X
5010001655	600	LID	COUVERCLE					X							
5010001656	250	CAST IRON GRID (FRAME + CIRCLE)	GRILLE DE CUISSON FONTE (CADRE + CERCLE)		X			X		X	X	X	X	X	X
5010001657	210	CAST IRON GRIDDLE	PLAQUE DE CUISSON FONTE		X			X							
5010001660	190	CHASSIS	CHASSIS	X	X	X	X								

**BARBECUES : 3 - 4 SERIES CLASSIC  
L - L PLUS - LS - LS PLUS - LXS - EXS  
CLASS 3 - CLASS 4**



SPARE PARTS REF.	POINTS	EN DESCRIPTIONS	FR DESCRIPTIONS	3 SERIES CLASSIC L	3 SERIES CLASSIC L PLUS	3 SERIES CLASSIC LS	3 SERIES CLASSIC LS PLUS	3 SERIES CAST IRON EXS	4 SERIES CLASSIC L	4 SERIES CLASSIC L PLUS	4 SERIES CLASSIC LS	4 SERIES CLASSIC LS PLUS	4 SERIES CLASSIC LXS	4 SERIES CLASSIC EXS - CH	4 SERIES CAST IRON EXS
				CLASS 3 L					CLASS 4 L PLUS						
5010001661	60	HEAT SHIELD	PARE CHALEUR					X							
5010001662	80	REAR PANEL	PANNEAU ARRIERE					X							
5010001665	240	BASE FRAME + WINDSHIELD	CADRE SUPPORT DE CUVE + PAREVENT						X	X			X	X	
5010001667	530	LID	COUVERCLE						X	X	X				
5010001668	110	WARMING GRID	GRILLE DE MIJOTAGE						X	X	X	X	X	X	
5010001669	20	GREASE DRAWER TENT	TENTE TIROIR RAMASSE GRAISSE						X	X	X	X	X	X	
5010001670	170	BASE (PART 1-2-3)	CUVE (PARTIE 1-2-3)						X	X	X	X	X	X	
5010001671	40	GREASE PLATE	PLATEAU RAMASSE GRAISSE						X	X	X	X	X	X	
5010001674	220	CHASSIS	CHASSIS						X	X	X	X	X	X	
5010001675	160	FRONT SHEET (TOP + BOTTOM)	JUPE TOLE (HAUT + BAS)						X						
5010001676	150	LEFT DOOR (GREY)	PORTE GAUCHE (GRIS)							X	X	X	X	X	
5010001677	300	CAST IRON GRIDDLE	PLAQUE CUISSON FONTE							X	X	X	X	X	
5010001678	600	LID (GREY)	COUVERCLE (GRIS)										X	X	
5010001681	60	HEAT SHIELD	PARE CHALEUR										X	X	
5010001682	100	REAR PANEL	PANNEAU ARRIERE										X	X	
5010002162	60	KNOB (x2)	VOLANTS (x2)	X	X	X	X	X	X	X	X	X	X	X	X
5010002163	190	GAS PIPE 28Mb - EXPORT	TUBULURE 28Mb - EXPORT	X											
5010002164	30	JET	INJECTEUR	X	X								X		
5010002165	110	STAINLESS STEEL BURNER 28Mb	BRULEUR INOX 28Mb	X	X	X			X	X	X	X	X		
5010002166	50	HANDLE + INSULATING + ENDS	POIGNEE + ISOLANT + EMBOUTS	X	X	X									
5010002171	60	THERMOMETER + ACCESSORIES	THERMOMETRE + ACCESSOIRES	X	X	X	X	X	X	X	X	X	X	X	X
5010002173	230	LEFT OR RIGHT SIDE TABLE	ETAGERE GAUCHE OU DROITE	X	X	X	X	X	X	X	X	X	X	X	X
5010002174	50	RIGHT SIDE SHELF SUPPORT	SUPPORT DROIT ETAGERE	X	X	X	X	X	X	X	X	X	X	X	X
5010002175	50	LEFT SIDE SHELF SUPPORT	SUPPORT GAUCHE ETAGERE	X	X	X	X	X	X	X	X	X	X	X	X
5010002177	220	GAS PIPE 28Mb - 1/2" (Fr)	TUBULURE 28Mb - 1/2" (Fr)			X									
5010002182	220	STOVE GAS PIPE 28Mb - EXPORT	TUBULURE RECHAUD 28Mb - EXPORT			X	X								

**BARBECUES : 3 - 4 SERIES CLASSIC  
L - L PLUS - LS - LS PLUS - LXS - EXS  
CLASS 3 - CLASS 4**



SPARE PARTS REF.	POINTS	EN DESCRIPTIONS	FR DESCRIPTIONS	3 SERIES CLASSIC L	3 SERIES CLASSIC L PLUS	3 SERIES CLASSIC LS	3 SERIES CLASSIC LS PLUS	3 SERIES CAST IRON EXS	4 SERIES CLASSIC L	4 SERIES CLASSIC L PLUS	4 SERIES CLASSIC L PLUS CLASS 4 L PLUS	4 SERIES CLASSIC LS	4 SERIES CLASSIC LS PLUS	4 SERIES CLASSIC LXS	4 SERIES CLASSIC EXS - CH	4 SERIES CAST IRON EXS
				CLASS 3 L												
5010002183	110	CAST IRON BURNER 28Mb	BRULEUR FONTE 28Mb					X								X
5010002184	190	GAS PIPE 28Mb - EXPORT	TUBULURE 28Mb - EXPORT						X							
5010002185	50	HANDLE + INSULATING + ENDS	POIGNEE + ISOLANT + EMBOUTS						X	X	X					
5010002186	230	THICK ENAMELLED STEEL GRIDDLE	PLAQUE CUISSON EPAISSE EMAILLEE						X		X					
5010002187	220	STOVE GAS PIPE 28Mb - EXPORT	TUBULURE RECHAUD 28Mb - EXPORT								X	X	X			
5010002188	60	HANDLE + INSULATING + ENDS	POIGNEE + ISOLANT + EMBOUTS											X	X	
5010002192	40	USENSIL HOOK	PORTE USTENSILES	X	X	X	X	X	X	X	X	X	X	X	X	
5010002193	70	HANDLE + INSULATING + ENDS	POIGNEE + ISOLANT + EMBOUTS					X								
5010002208	60	ELECTRODE + HOUSING - STEEL BURNER - SHORT WIRE (ROUND CONNECTOR)	ELECTRODE + SUPPORT - BRULEUR ACIER - FIL COURT (CONNECTEUR ROND)	X	X	X			X	X	X					
5010002209	70	PIEZO DOUBLE	PIEZO DOUBLE	X	X	X			X	X	X					
5010002210	60	ELECTRODE + HOUSING - STEEL BURNER - LONG WIRE (FLAT CONNECTOR)	ELECTRODE + SUPPORT - BRULEUR ACIER - FIL LONG (CONNECTEUR PLAT)	X	X	X			X	X	X	X	X			
5010002211	40	PUSH BUTTON ELECTRONIC IGNITOR	BOUTTON POUSSOIR TRAIN D'ETINCELLE					X						X	X	
5010002213	60	ELECTRODE + HOUSING - CAST IRON BURNER - LONG WIRE (ROUND CONNECTOR)	ELECTRODE + SUPPORT - BRULEUR FONTE - FIL LONG (CONNECTEUR ROND)					X							X	
5010002214	70	PIEZO 1 OUTLET	PIEZO SIMPLE			X						X				
5010002215	200	BACKLIGHTING SYSTEM	SYSTEME RETRO-ECLAIRAGE					X							X	
5010002216	120	REAR RIGHT LEG (3)	PIED ARRIERE DROIT (3)			X	X			X	X	X	X	X	X	
5010002217	120	REAR LEFT LEG (2)	PIED ARRIERE GAUCHE (2)			X	X			X	X	X	X	X	X	
5010002218	120	FRONT RIGHT LEG (4)	PIED AVANT DROIT (4)			X	X			X	X	X	X	X	X	
5010002219	120	FRONT LEFT LEG (1)	PIED AVANT GAUCHE (1)			X	X			X	X	X	X	X	X	
5010002282	30	REINFORCEMENT WIRE SIDE SHELF	FIL RENFORT ETAGERE	X	X	X	X	X	X	X	X	X	X	X	X	
5010002351	40	ELECTRODE + HOUSING - STEEL BURNER - SHORT WIRE (FLAT CONNECTOR)	ELECTRODE + SUPPORT - BRULEUR ACIER - FIL COURT (CONNECTEUR PLAT)											X		
5010002353	200	BASE FRAME + WINDSHIELD	CADRE SUPPORT DE CUVE + PAREVENT			X										
5010002355	210	BASE FRAME + WINDSHIELD	CADRE SUPPORT DE CUVE + PAREVENT									X				

**BARBECUES : 3 - 4 SERIES CLASSIC  
L - L PLUS - LS - LS PLUS - LXS - EXS  
CLASS 3 - CLASS 4**



SPARE PARTS REF.	POINTS	EN DESCRIPTIONS	FR DESCRIPTIONS	3 SERIES CLASSIC L	3 SERIES CLASSIC L PLUS	3 SERIES CLASSIC LS	3 SERIES CLASSIC LS PLUS	3 SERIES CAST IRON EXS	4 SERIES CLASSIC L	4 SERIES CLASSIC L PLUS	4 SERIES CLASSIC LS	4 SERIES CLASSIC LS PLUS	4 SERIES CLASSIC LXS	4 SERIES CLASSIC EXS - CH	4 SERIES CAST IRON EXS
				CLASS 3 L					CLASS 4 L PLUS						
5010002365	100	TOP + BOTTOM CONTROL PANELS (MOD.3 L)	CONSOLES HAUT + BAS (MOD.3 L)	X	X										
5010002366	100	TOP + BOTTOM CONTROL PANELS (MOD.3 LS)	CONSOLES HAUT + BAS (MOD.3 LS)			X									
5010002367	100	TOP + BOTTOM CONTROL PANELS (MOD.3 LS PLUS)	CONSOLES HAUT + BAS (MOD.3 LS PLUS)			X									
5010002369	150	TOP + BOTTOM CONTROL PANELS (MOD.3 EXS)	CONSOLES HAUT + BAS (MOD.3 EXS)					X							
5010002371	130	TOP + BOTTOM CONTROL PANELS (MOD.4 L)	CONSOLES HAUT + BAS (MOD.4 L)						X						
5010002372	130	TOP + BOTTOM CONTROL PANELS (MOD.4 LS)	CONSOLES HAUT + BAS (MOD.4 LS)								X				
5010002373	130	TOP + BOTTOM CONTROL PANELS (MOD.4 LS PLUS)	CONSOLES HAUT + BAS (MOD.4 LS PLUS)								X				
5010002375	190	TOP + BOTTOM CONTROL PANELS (MOD.4 LXS)	CONSOLES HAUT + BAS (MOD.4 LXS)										X		
5010002376	190	TOP + BOTTOM CONTROL PANELS (MOD.4 EXS)	CONSOLES HAUT + BAS (MOD.4 EXS)												X
5010002437	150	RIGHT DOOR (GREY)	PORTE DROITE (GRIS)							X	X	X	X		X
5010002438	50	ELECTRODE + HOUSING - CAST IRON BURNER - SHORT WIRE (ROUND CONNECTOR)	ELECTRODE + SUPPORT - BRULEUR FONTE - FIL COURT (CONNECTEUR ROND)					X							X
5010002439	270	GAS PIPE 50Mb - 1/4" (De)	TUBULURE 50Mb - 1/4" (De)	X	X										
5010002441	250	GAS PIPE 28Mb - 1/2" (Fr)	TUBULURE 28Mb - 1/2" (Fr)	X	X										
5010002442	270	GAS PIPE 50Mb - 1/4" (De)	TUBULURE 50Mb - 1/4" (De)						X	X					
5010002443	270	STOVE PIPE 50Mb - 1/4" (De)	TUBULURE RECHAUD 50Mb - 1/4" (De)						X		X				X
5010002444	250	GAS PIPE 28Mb - 1/2" (Fr)	TUBULURE 28Mb - 1/2" (Fr)						X	X					
5010002445	270	STOVE PIPE 28Mb - 1/2" (Fr)	TUBULURE RECHAUD 28Mb - 1/2" (Fr)										X		
5010002446	100	STAINLESS STEEL BURNER 50Mb	BRULEUR INOX 50Mb	X	X				X	X	X				
5010002447	100	CAST IRON BURNER 50Mb	BRULEUR FONTE 50Mb												X
5010002448	20	JET	INJECTEUR	X	X					X	X				X
5010002450	120	TOP + BOTTOM PANELS (CLASS 3L/WOODY L)	CONSOLES HAUT + BAS (CLASS 3L/WOODY L)	X											
5010002451	120	TOP + BOTTOM CONTROL PANELS (MOD.CLASS 4 L PLUS)	CONSOLES HAUT + BAS (MOD.CLASS 4 L PLUS)							X					
5010002462	130	ELECTRONIC IGNITION SET (4 OUTLETS)	KIT ALLUMAGE ELECTRONIQUE (4 CONNECTEURS)					X					X	X	
5010002503	120	TOP + BOTTOM CONTROL PANELS (MOD.4 L PLUS)	CONSOLES HAUT + BAS (MOD.4 L PLUS)							X					
5010002633	50	MAGNETS (X2)	AIMANTS (X2)	X	X	X	X	X	X	X	X	X	X	X	X
5010002634	50	THERMOMETER	THERMOMETRE	X	X	X	X	X	X	X	X	X	X	X	X

**BARBECUES : 3 - 4 SERIES CLASSIC  
L - L PLUS - LS - LS PLUS - LXS - EXS  
CLASS 3 - CLASS 4**



SPARE PARTS REF.	POINTS	EN DESCRIPTIONS	FR DESCRIPTIONS	3 SERIES CLASSIC L	3 SERIES CLASSIC L PLUS	3 SERIES CLASSIC LS	3 SERIES CLASSIC LS PLUS	3 SERIES CAST IRON EXS	4 SERIES CLASSIC L	4 SERIES CLASSIC L PLUS	4 SERIES CLASSIC LS	4 SERIES CLASSIC LS PLUS	4 SERIES CLASSIC LXS	4 SERIES CLASSIC EXS - CH	4 SERIES CAST IRON EXS
				CLASS 3 L					CLASS 4 L PLUS						
5010003153	100	RIGHT REAR LEG CARRIAGE (MOD.FR) (3)	PIED ARRIERE DROIT CHARIOT (MOD.FR) (3)		X										
5010003154	100	LEFT REAR LEG CARRIAGE (MOD.FR) (2)	PIED ARRIERE GAUCHE CHARIOT (MOD.FR) (2)		X										
5010003155	100	LEFT FRONT LEG CARRIAGE (MOD.FR) (1)	PIED AVANT GAUCHE CHARIOT (MOD.FR) (1)		X										
5010003156	100	RIGHT FRONT LEG CARRIAGE (MOD.FR) (4)	PIED AVANT DROIT CHARIOT (MOD.FR) (4)		X										
5010003158	150	LEFT DOOR MOD. FR (DARK GREY)	PORTE GAUCHE MOD. FR (GRIS ANTHRACITE)		X										
5010003159	100	TOP + BOTTOM CONTROL PANEL (DARK GREY)	CONSOLES HAUT + BAS (GRIS FONCE)		X										
5010003281	150	LEFT DOOR MOD. CH (DARK GREY)	PORTE GAUCHE MOD. CH (GRIS ANTHRACITE)											X	
5010003282	150	RIGHT DOOR MOD. CH (DARK GREY)	PORTE DROITE MOD. CH (GRIS ANTHRACITE)											X	
5010003283	100	TOP + BOTTOM CONTROL PANELS (MOD.4 EXS CH)	CONSOLES HAUT + BAS (MOD.4 EXS CH)											X	
5010003284	250	STOVE PIPE 28Mb - 1/4" (CH)	TUBULURE RECHAUD 28Mb - 1/4" (CH)											X	
5010003285	510	LID (BLACK ENAMELLED)	COUVERCLE (NOIR EMAILLE)											X	
5010003289	150	RIGHT DOOR MOD. FR (DARK GREY)	PORTE DROITE MOD. FR (GRIS ANTHRACITE)		X										
5010001592	140	PACKAGING (MOD. 3 L PLUS)	EMBALLAGE (MOD. 3 L PLUS)		X										
5010002362	150	PACKAGING (MOD.4 EXS)	EMBALLAGE (MOD.4 EXS)												X
5010002425	150	PACKAGING (MOD.3 LS PLUS)	EMBALLAGE (MOD.3 LS PLUS)			X									
5010002427	150	PACKAGING (MOD.3 EXS)	EMBALLAGE (MOD.3 EXS)				X								
5010002429	150	PACKAGING (MOD.4 L)	EMBALLAGE (MOD.4 L)					X							
5010002430	150	PACKAGING (MOD.4 LS)	EMBALLAGE (MOD.4 LS)								X				
5010002431	150	PACKAGING (MOD.4 LS PLUS)	EMBALLAGE (MOD.4 LS PLUS)								X				
5010002433	150	PACKAGING (MOD.4 LXS)	EMBALLAGE (MOD.4 LXS)										X		
5010002435	150	PACKAGING (MOD.3 L)	EMBALLAGE (MOD.3 L)	X											
5010002436	150	PACKAGING (MOD.3 LS)	EMBALLAGE (MOD.3 LS)			X									
5010002453	150	PACKAGING (MOD.CLASS 3 L)	EMBALLAGE (MOD.CLASS 3 L)	X											
5010002454	150	PACKAGING (MOD.CLASS 4 L PLUS)	EMBALLAGE (MOD.CLASS 4 L PLUS)							X					
5010002515	150	PACKAGING (MOD.4 L PLUS)	EMBALLAGE (MOD.4 L PLUS)							X					
5010003151	120	PACKAGING (MOD.3L PLUS) - Fr	EMBALLAGE (MOD.3L PLUS) - Fr		X										